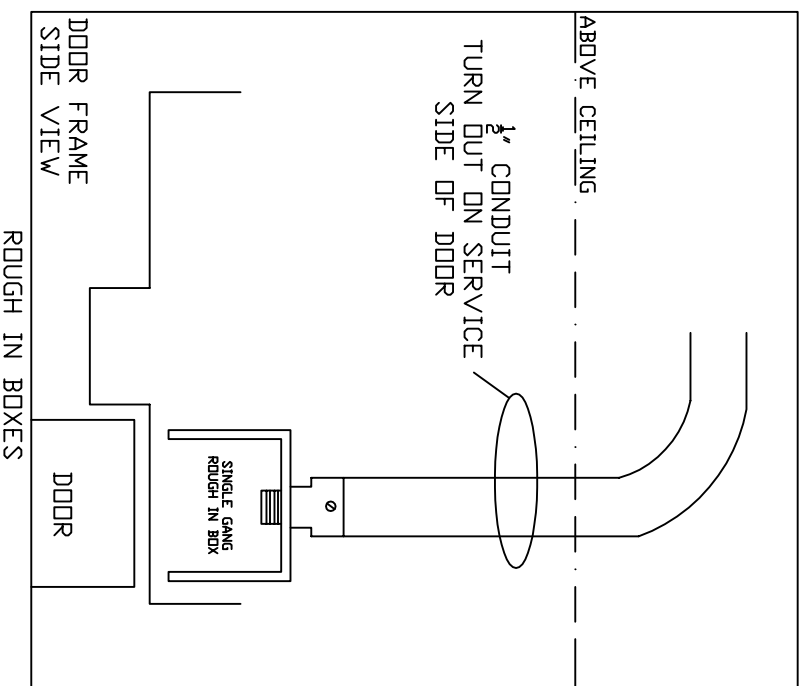
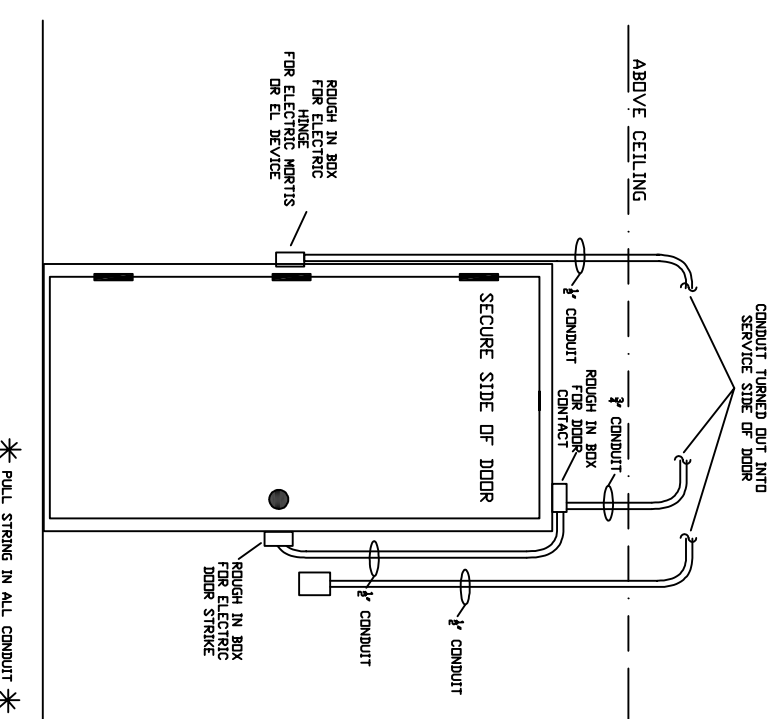
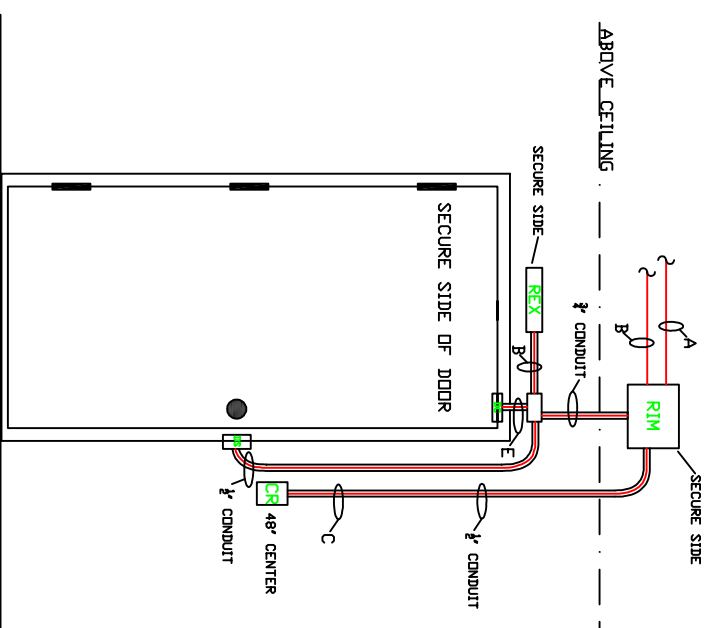


Device Legend:

CP	Control Panel
PS	Power Supply
CR	Card Reader
DS	Door Strike
DC	Door Contact
REX	Request to Exit
RIM	Remote Interface Module
DPS	Door Position Switch
EDL	Electric Door Lock
ML	Mortis Lock
MAG	Mag Lock

Cable Legend:

A	18 AWG 4 Conductor Shielded Plenum
B	18 AWG 4 Conductor Non-shielded Plenum
C	18 AWG 6 Conductor Shielded Plenum
D	18 AWG 2 Conductor Non-shielded Plenum
E	22 AWG 2 Conductor Non-shielded Plenum



REV.	DATE	DESCRIPTION	BY
A	10-13-08	Drew Device Locations	JLW

THIS DRAWING INCLUDES INFORMATION, DESIGN, METHOD AND ACTION CONSIDERED TO BE THE PROPERTY OF Ingersoll Rand Security Technologies (IRST), and is furnished on the understanding that it will not be sold, reproduced, or otherwise used in any way without the express written consent of Ingersoll Rand Security Technologies. The recipient further agrees not to disclose the contents to any other party without the express written consent of Ingersoll Rand Security Technologies. Ingersoll Rand Security Technologies makes no representation as to the operability or accuracy of any system, subsystem, component, or other information contained herein unless specifically identified as such.

COMPANY NAME: CLAYTON_COUNTRY_SCHOOLS

SITE: -

DRAWING TITLE: TYPICAL DOOR LAYOUT

ISSUED FOR: SUBMITTAL

JOB NUMBER: -

SCALE: - DATE: 10-13-08

DRAWN BY: JLW SIZE: DRAWING NUMBER: REV

CHECKED BY: D

APPROVED BY: A